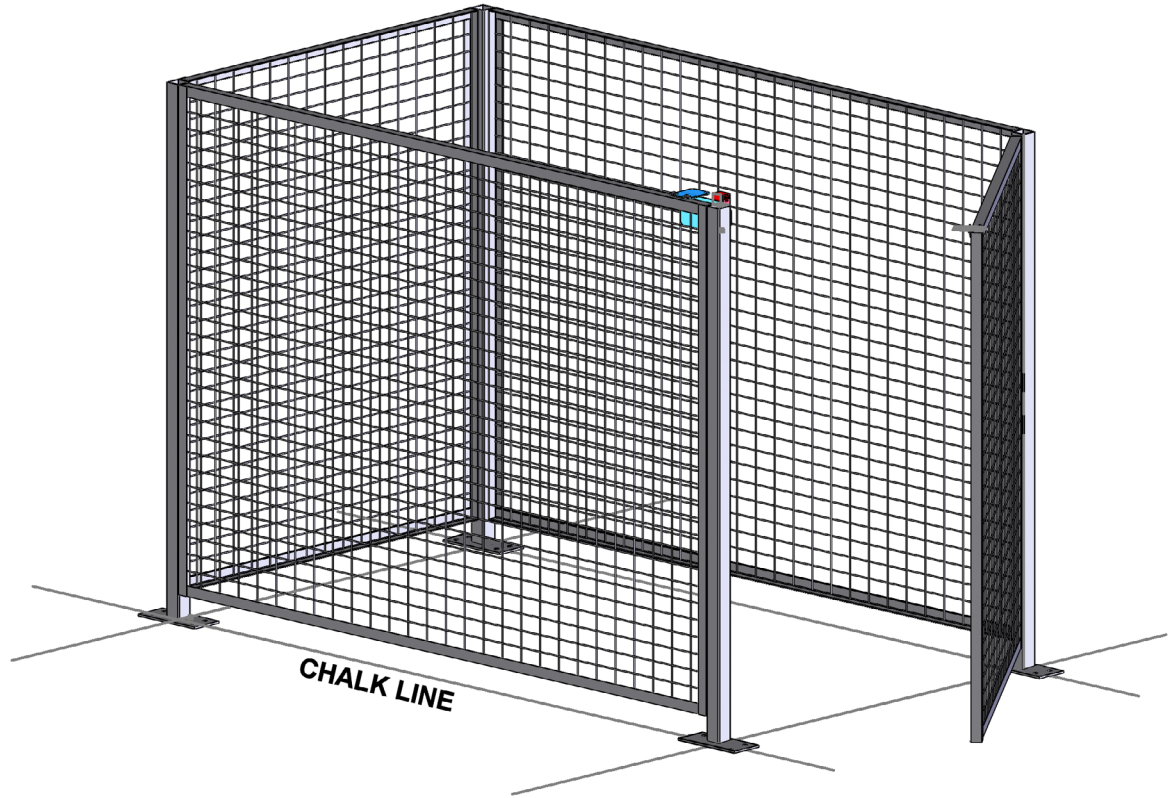


**CONTENTS**

|   | Page   |
|---|--------|
| General Information and Installer Tips. . . . . | 2      |
| Panels & Posts. . . . .                         | 3      |
| Enclosure Description. . . . .                  | 4      |
| Hinge Door Hardware. . . . .                    | 4 - 5  |
| Step-by-Step Installation. . . . .              | 6 - 14 |



## General Information

The following General Installation Instructions should be used as a guide for installing partitions. Because of the varying job site conditions, and infinite layout possibilities, there is no “recommended” way to install the product. **Good common sense and proper safety precautions must be used during installation.** The product may be unstable during installation; proper temporary bracing should be used until all hardware is tightened and the product is properly anchored to the floor. Permanent field bracing may be installed at installer’s/owner’s discretion. Install problems arising from job site conditions should be referred to a professional installer.

### TOOLS RECOMMENDED

|                     |  |  |
|---------------------|--|--|
| Chalk line & marker | Drill with adjustable clutch and 3/8” nut driver | (2) Step ladders if installing ceiling   |
| Tape Measure        | Hammer Drill with 3/8” masonry bit               | (2) C clamps or Vise-Grip® type clamps   |
| Level               | (2) 9/16” open end wrenches and/or               | #1 & #2 Phillips Screw Driver            |
| Hacksaw             | (2) 9/16” deep socket ratchets                   | 1/2” deep socket or 1/2” open end wrench |

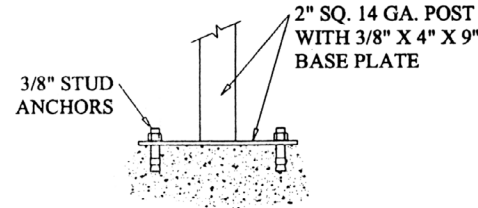
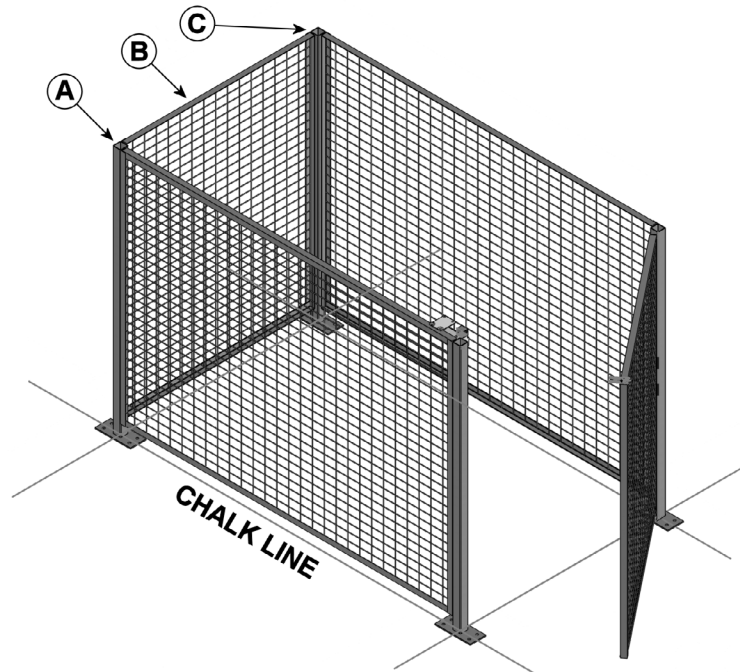
### SELF DRILLING SCREW INSTALLATION RECOMMENDATIONS

When installing self drilling screws use a standard variable speed screw gun equipped with an adjustable clutch or depth locating nose piece. Take care not to over tighten or strip, set drill accordingly. **DO NOT USE IMPACT TYPE GUN WHEN INSTALLING SELF DRILLING SCREWS.** Securely clamp component parts in place before attaching with self drilling screws.

### INSTALLER TIPS

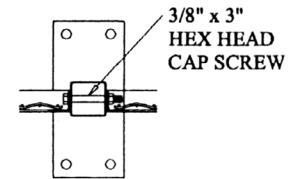
1. Installation is best accomplished with a two or three person crew.
2. Before starting, review all installation instructions pertinent to your layout (i.e. panels, doors, etc.)
3. “Face Side” of the partition is the outside, where nuts and bolts will NOT be visible or accessible. “Inside” of the partition has one leg of the panel frame pointing in. Assembly hardware will be on the inside of most layouts.
4. Panels install horizontally between posts, 2” mesh opening should be parallel with floor.
5. Identify all panels by part number. If possible stage parts where they will be installed.
6. Special size panels have metal tags on the mesh and are referenced on drawing.
7. Make sure all posts are installed plumb (vertically perpendicular to floor). Shims (not provided) may be necessary.
8. Use a 3-1/4” spacer block (not provided) to support far end of panel during setup.
9. Begin installation process at a building wall, end or corner of layout.
10. Gauge hinge door opening by width of transom panel.
11. Gauge slide door opening by door width (e.g. 48” between posts for 4’ wide slide door). When necessary, slide door openings may be narrowed to adjust length of adjacent run.
12. Standard hinge, double hinge, and slide doors are universal and may be installed inside or outside swing, left or right hand. Dutch and special doors are not universal and must be installed as shown out on drawing.
13. Installer should cut off any bolts or hardware protruding into aisle ways or around door openings.
14. Installer should touch up all nicks, marks, and scratches with touch up paint provided.

Physical Barrier Height: 5' 3-1/4"



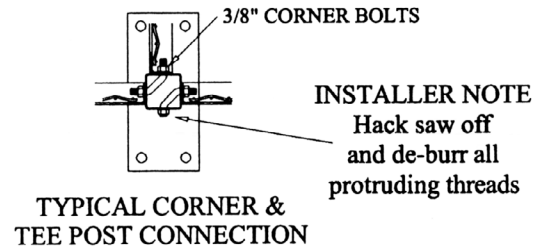
TYPICAL POST TO FLOOR CONNECTION

Fig.1



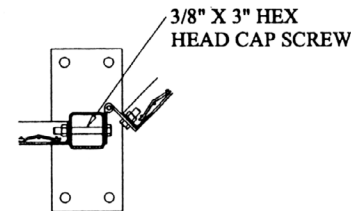
TYPICAL RUN POST CONNECTION

Fig.2



TYPICAL CORNER & TEE POST CONNECTION

Fig.3



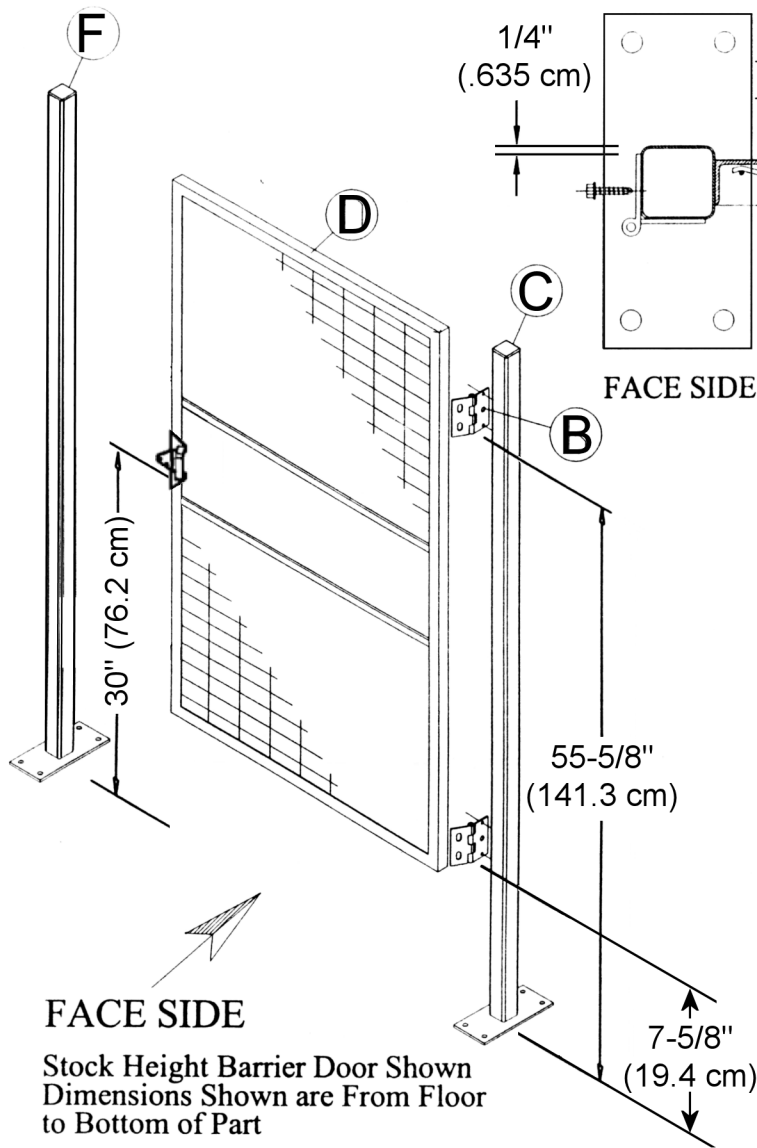
ADJUSTABLE HINGE CONNECTION

Fig.4

**PHYSICAL BARRIER HEIGHT: 5' 3-1/4"**  
**PANEL & POST INSTALLATION**

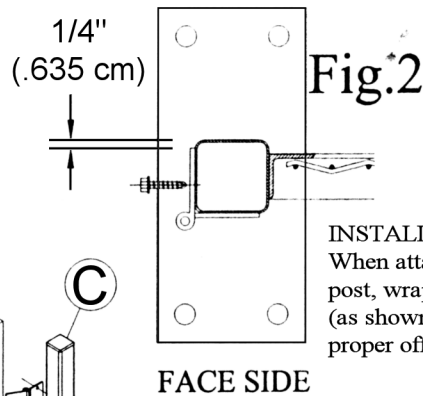
1. Use a chalk line to outline the partition layout on the floor.
  - a. Out to out dimensions shown on drawing are to face side of posts.
  - b. Post base plates project beyond outline of partition.
2. Lag end post (A) to floor per Fig. 1 using anchors provided.
3. Mount panel (B) to post (A)
  - a. Per Fig. 2 for straight run using two 3/8" x 3" straight bolts, or
  - b. Per Fig. 3 for 90 degree corner using two 3/8" corner bolts, or
  - c. Per Fig 4 for adjustable angle, mount hinge with 3/8" x 3" straight bolts or
  - d. If mounting directly to building wall skip this step.
  - e. **Note: Panels install horizontally; 2" mesh opening parallel with floor.**
4. Attach opposite end of panel (B) to second post (C)
  - a. Per Fig 2 for run post, or
  - b. Per Fig 3 for corner post.
5. Lag post to floor using anchors provided

**Barrier Hinge Door Outside Swing Right Hand Shown**



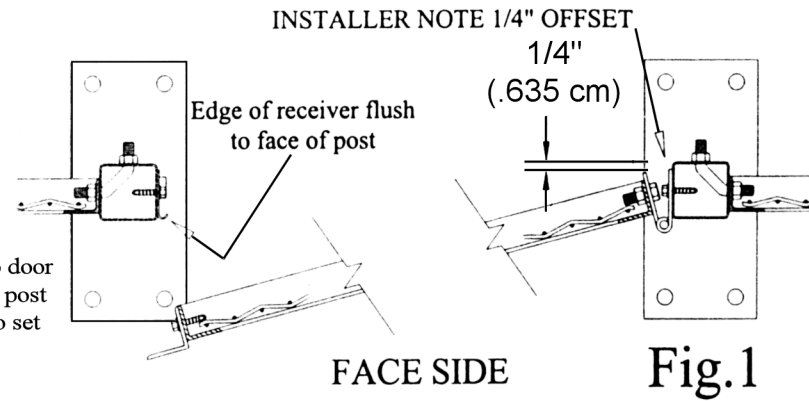
**FACE SIDE**

Stock Height Barrier Door Shown  
Dimensions Shown are From Floor  
to Bottom of Part



**Fig.2**

**INSTALLATION TIP:**  
When attaching hinge to door  
post, wrap hinge around post  
(as shown in drawing) to set  
proper offset alignment



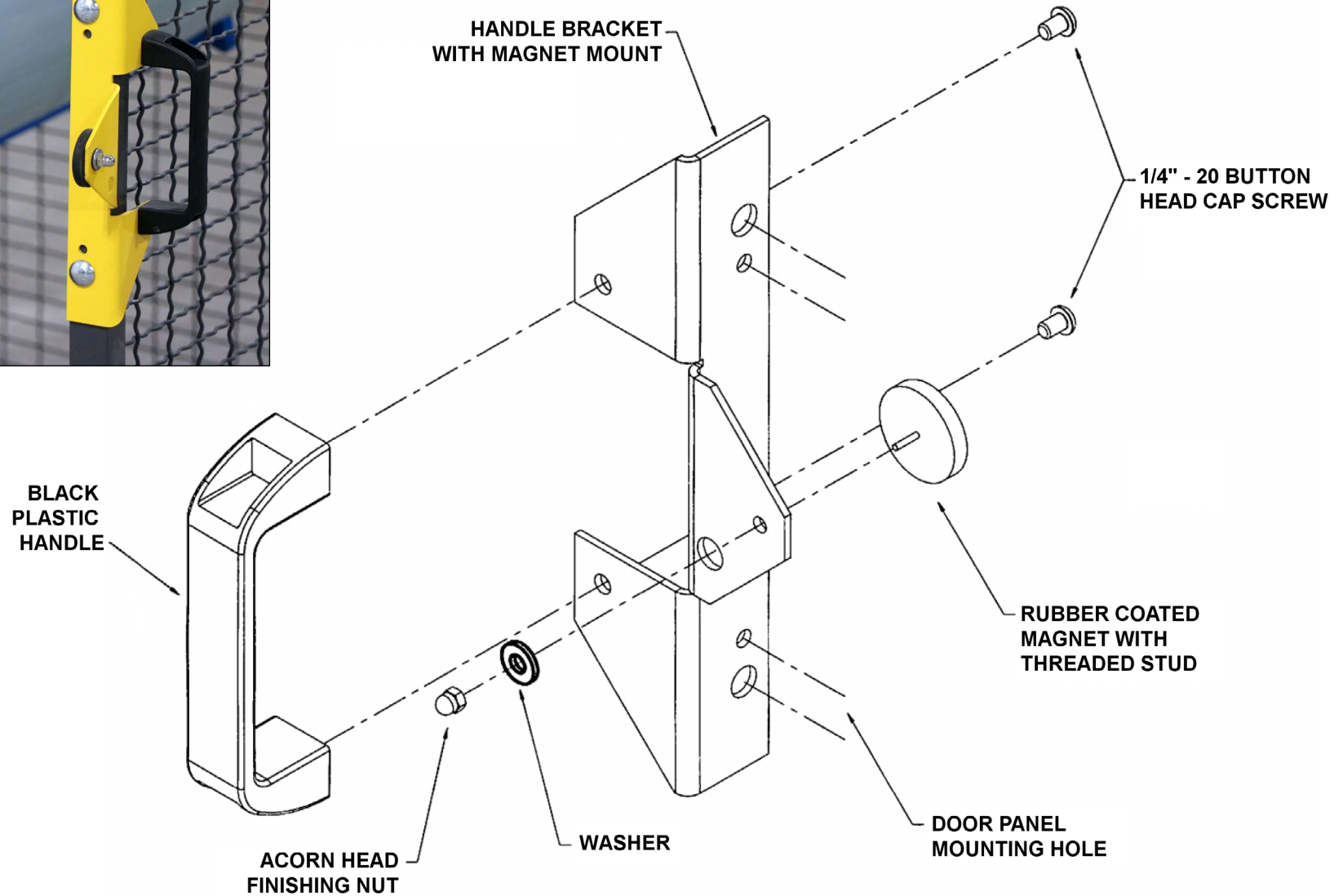
**Fig.1**

**INSTALLER NOTES:**

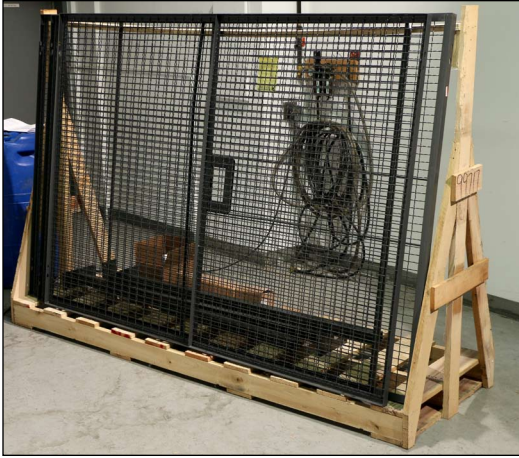
1. Component parts attach using self-drilling screws. Use variable speed screw gun with adjustable clutch or depth locating nose piece. Use care not to over tighten and strip threads. **DO NOT USE IMPACT TYPE GUNS.** Securely clamp part in place before attaching with self drilling screws.
2. The dimensions shown on this page are for standard physical barrier hinge doors 5'-0" tall with a sweep space of 3-5/8".
3. Partition wall should be set up and anchored to floor, with posts plumb before attempting to install doors.

**Physical Barrier Hinge Door Outside Swing**

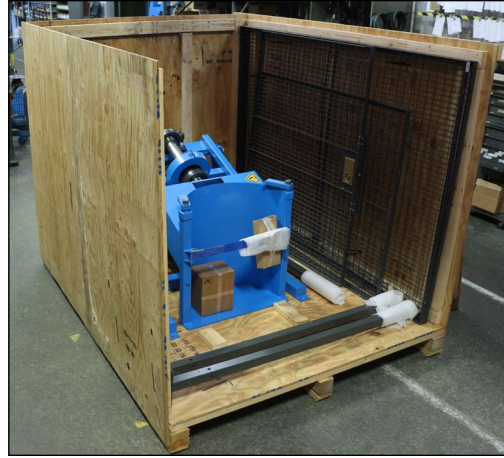
1. Check opening width at floor, and anchor posts to floor.
    - a. Check that posts are plumb and opening is square.
  2. Attach hinges (B) to door post (C) using two self drilling screws per hinge.
    - a. Note hinge placement offset detailed in Fig 1 and install tip Fig 2.
    - b. If necessary, remove two 3/8" x 3" panel mounting bolts and replace with corner bolts. Cut off and file smooth any protruding bolt threads.
- Attach door panel (D) to hinges with two 3/8" x 1" bolts and nuts per hinge.
- a. Set desired sweep space (3-5/8" for stock doors).



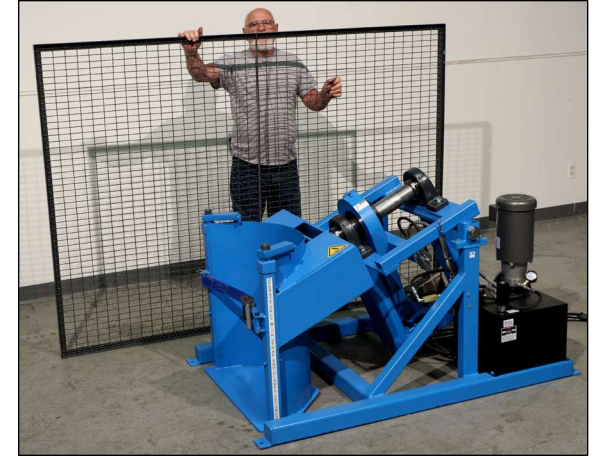
## Installation Instructions for Enclosure with Safety Interlock



Enclosure Kit packaged for domestic shipment will arrive on pallet as shown.



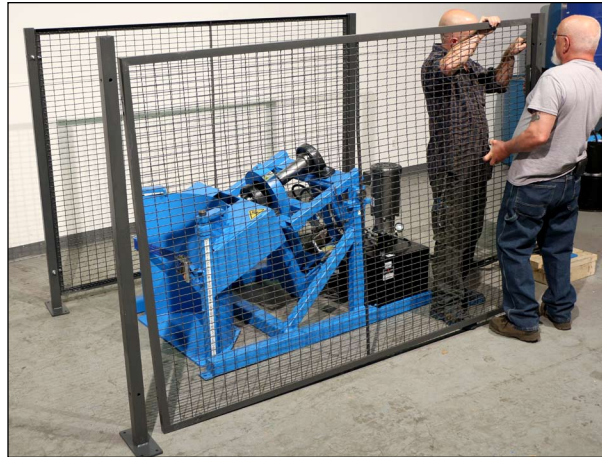
Enclosure Kit exported from the USA with drum rotator are packaged in crate with the rotator.



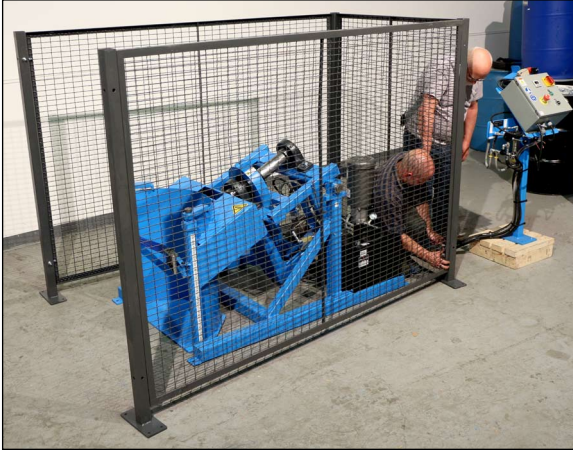
Position the drum rotator at the desired location, ensuring there is ample room for enclosure, and for loading a drum onto the drum rotator.



Attach enclosure side panels to posts with provided hardware.



## Installation Instructions for Enclosure with Safety Interlock



Attach enclosure end panel to posts with provided hardware.



Attach hinges to enclosure door with bolts and nuts.



Use spacer blocks (not provided) to support door panel during set up.



Drill holes for hinges in posts to mount door at desired height.



Attach top door hinge to post with self-tapping screws.



Attach bottom door hinge to post with self-tapping screws.



### Installation of Interlock Switch Assembly (Kit # 5152KIT-P) for NON Explosion Proof Enclosures

| KIT # 5152KIT-P |      |         |                                |
|-----------------|------|---------|--------------------------------|
| ITEM            | QTY. | PART #  | DESCRIPTION                    |
| 1               | 1    | 5151-P  | BEAM FASTENER, KEY SAFE SWITCH |
| 2               | 1    | 4823A-P | KEY, SAFETY SWITCH, DRILLED    |
| 3               | 1    | 1518-P  | NUT, 1/4-20 NYLON LOCK         |
| 4               | 1    | 1866-P  | WASHER, 1/4 USS 3/4 OD         |
| 5               | 1    | 4822-P  | SWITCH, AC SAFETY, CAGE        |
| 6               | 2    | 1867-P  | BHCS, 10-24 X 1-3/4            |
| 7               | 2    | 1869-P  | NUT, 10-24 NYLON LOCK          |
| 8               | 1    | 5306-P  | MOUNT, SAFETY SWITCH, CAGE     |
| 9               | 2    | 1635-P  | BOLT, 5/16-18 X 1-1/4 WHIZ     |
| 10              | 2    | 1634-P  | NUT, 5/16-18 WHIZ LOCK         |
| 11              | 1    | 4574-P  | CABLE, INTERLOCK, 22'          |
| 12              | 9    | 2182-P  | WIRE / CABLE TIE, 3-5/8        |
| 13              | 1    | 5838-P  | CORD GRIP, M20, SWITCH, BOX    |



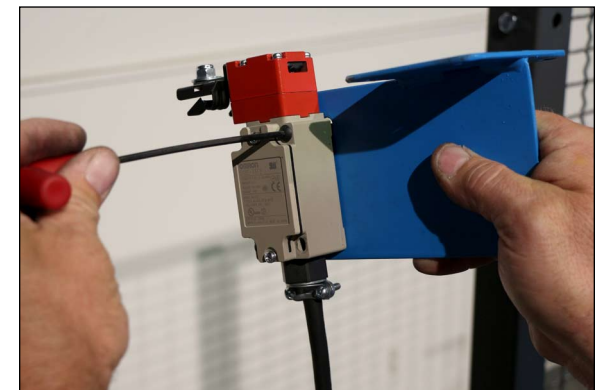
Ensure switch (item 5) is configured to receive key (item 2) with latch on left side of door.



If necessary, reverse orientation of switch. . .

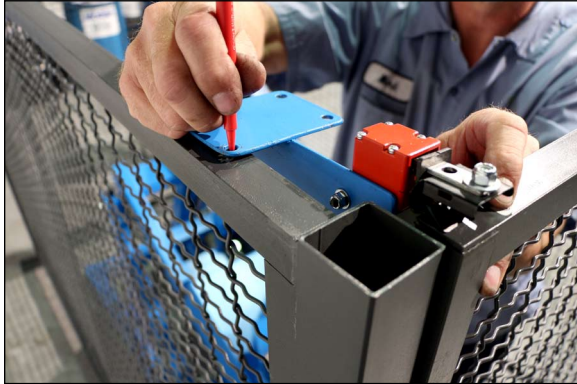


. . . and re-assemble switch.

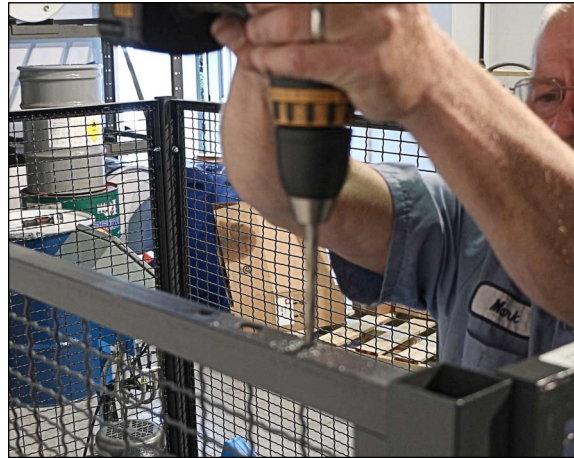


Attach switch to mounting plate (item 8) using two bolts (item 6) and nuts (item 7).

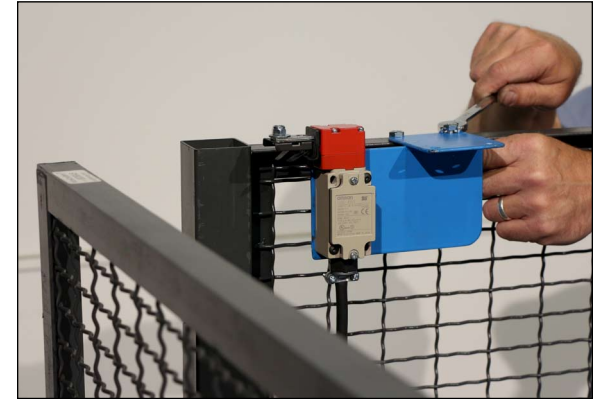
### Installation of Interlock Switch Assembly (Kit # 5152KIT-P) for NON Explosion Proof Enclosures



Mark where to drill holes in top of side panel for switch mounting plate.



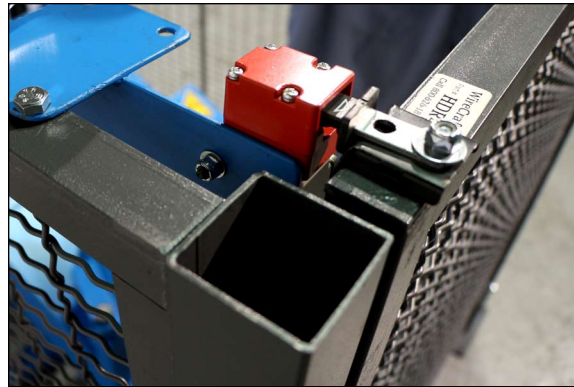
Drill holes for switch mounting plate.



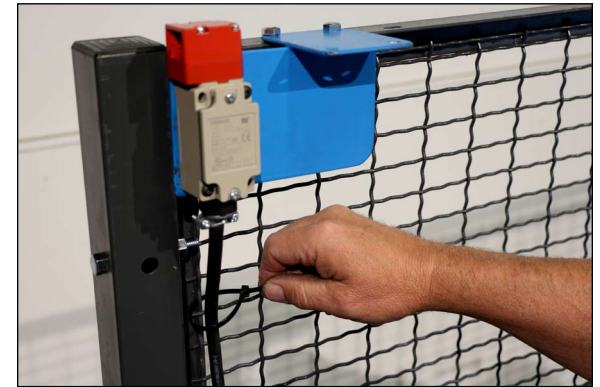
Install switch mounting plate on top of side panel with two bolts (item 9) and nuts (item 10).



Install key on the door of the enclosure so that it aligns with the switch on the side panel.



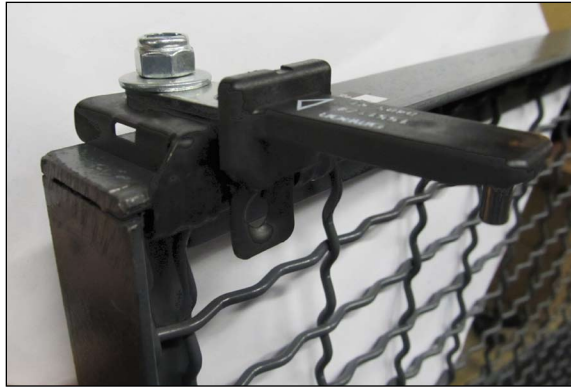
Close enclosure and verify that the key aligns properly with the switch. If key is not aligned properly, adjust accordingly. Key may be adjusted by loosening its screws and moving, then re-tightening screws.



Use zip ties (item 9) to retain cable (item 11) from switch to control station.

### Installation of Interlock Switch Assembly (Kit # 5152KIT-P) for NON Explosion Proof Enclosures

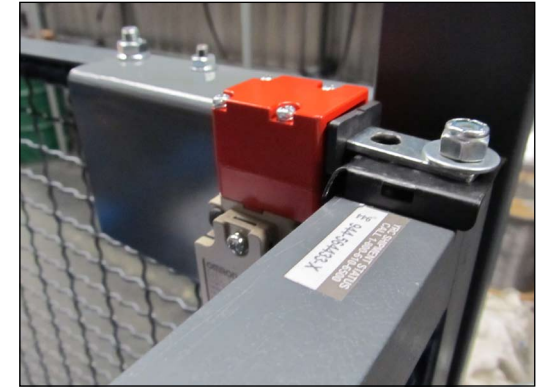
Morse Part # 5152KIT-P  
Switch Assembly



Install key on the door of the enclosure so that it aligns with the switch on the side panel.

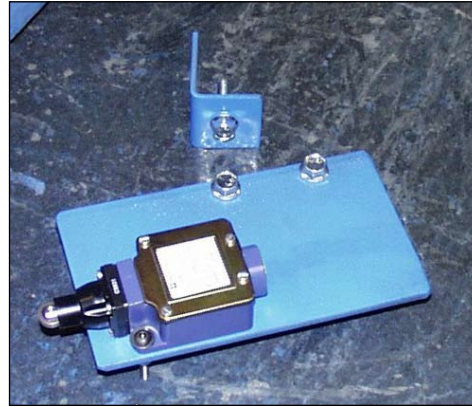


Close enclosure and verify that the key aligns properly with the switch. If key is not aligned properly, adjust accordingly. Key may be adjusted by loosening its screws and moving, then re-tightening screws.

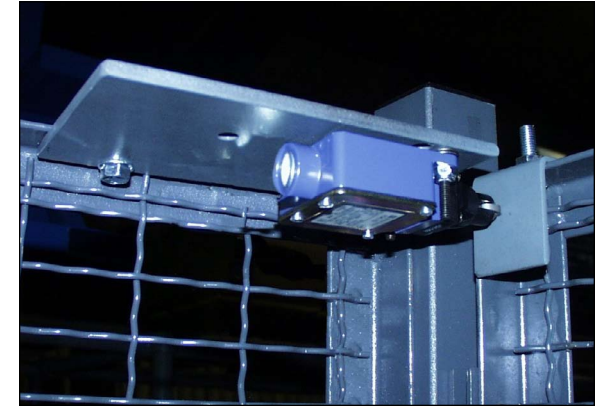


### Installation of Switch Assembly Kit (Morse Kit # 3597KIT-P) for Explosion Proof Enclosures

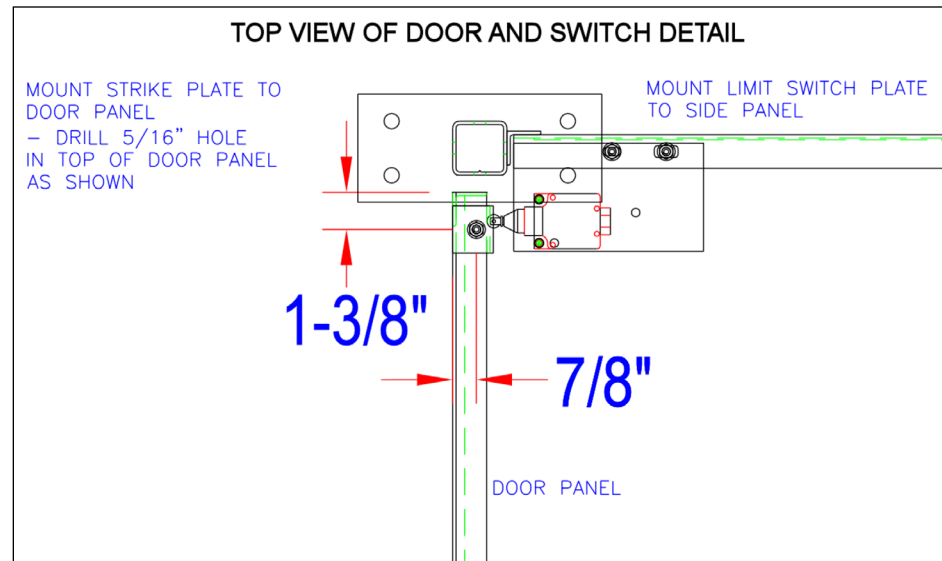
| KIT # 3597KIT-P |      |        |                             |
|-----------------|------|--------|-----------------------------|
| ITEM            | QTY. | PART # | DESCRIPTION                 |
| 20              | 1    | 3597-P | SWITCH, AC LIMIT, EXP, CAGE |
| 21              | 2    | 1714-P | HHCS, 1/4-20 X 3/4 GR2      |
| 22              | 2    | 1882-P | WASHER, 1/4 SPLIT LOCK      |
| 23              | 1    | 4298-P | MOUNT, LIMIT SWITCH, CAGE   |
| 24              | 1    | 4299-P | PLATE, STRIKE, LIMIT SWITCH |
| 25              | 3    | 1635-P | BOLT, 5/16-18 X 1-1/4 WHIZ  |
| 26              | 3    | 1634-P | NUT, 5/16-18 WHIZ LOCK      |



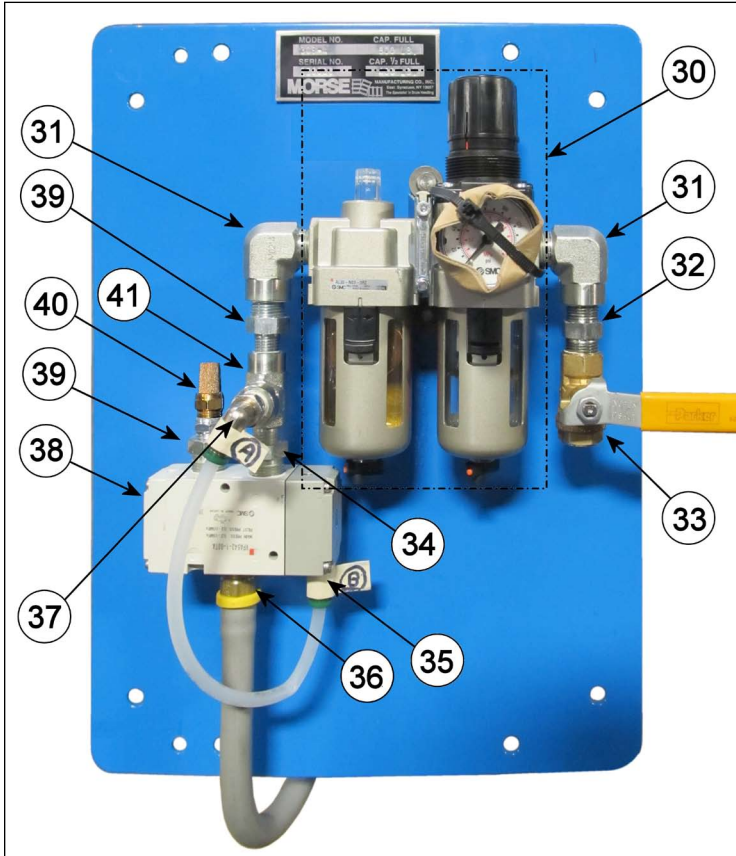
Morse Part # 3597KIT-P Switch Assembly



Morse Part # 3597KIT-P Switch Assembly mounted on enclosure



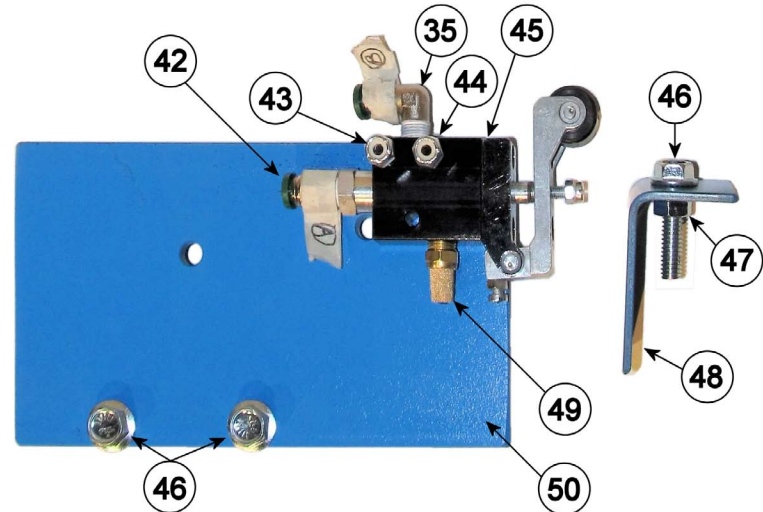
### Installation of Air Switch Kit (5102KIT-P) and FRL for Air Enclosures



| KIT # 5102KIT-P |      |        |                               |
|-----------------|------|--------|-------------------------------|
| ITEM            | QTY. | PART # | DESCRIPTION                   |
| 34              | 1    | 3207-P | HYD FIT, MALE NIPPLE, 3/8-1/4 |
| 35              | 2    | 3116-P | AIR FIT, MALE ELBOW, -4-2     |
| 37              | 1    | 3115-P | AIR FIT, MALE ELBOW, -4-4     |
| 38              | 1    | 3174-P | VALVE, AIR ON/ OFF, 611-114   |
| 39              | 2    | 3299-P | HYD FIT, PIPE REDUCER 3/8-1/4 |
| 40              | 1    | 3909-P | BREATHER VENT, 1/4            |
| 41              | 1    | 1105-P | HYD FIT, RUN TEE, 456, 310    |
| 42              | 1    | 3120-P | AIR FIT, MALE CON. -4-2       |
| 43              | 2    | 1869-P | NUT, 10-24 NYLON LOCK         |
| 44              | 2    | 1867-P | BHCS, 10-24 X 1-3/4           |
| 45              | 1    | 5102-P | SWITCH, AIR LIMIT, 611-114    |
| 46              | 3    | 1635-P | BOLT, 5/16-18 X 1-1/4 WHIZ    |
| 47              | 3    | 1634-P | NUT, 5/16-18 WHIZ LOCK        |

| KIT # 5102KIT-P |      |        |                                     |
|-----------------|------|--------|-------------------------------------|
| ITEM            | QTY. | PART # | DESCRIPTION                         |
| 48              | 1    | 4299-P | PLATE, STRIKE, LIMIT SWITCH         |
| 49              | 1    | 4433-P | BREATHER VENT, 1/8                  |
| 50              | 1    | 4298-P | MOUNT, LIMIT SWITCH, CAGE           |
| 51              | 9    | 2182-P | WIRE / CABLE TIE, 3-5/8 (not shown) |
| 52              | 2    | 5105-P | TUBING, POLY, 1/4", 20' (not shown) |

| OTHER PARTS |      |        |                                |
|-------------|------|--------|--------------------------------|
| ITEM        | QTY. | PART # | DESCRIPTION                    |
| 30          | 1    | 2794-P | FILTER, REG, LUBRICATOR, 3/8"  |
| 31          | 2    | 3301-P | HYD FIT, STREET ELBOW, 3/8 310 |
| 32          | 1    | 3300-P | HYD FIT, PIPE NIPPLE, 3/8      |
| 33          | 1    | 2658-P | VALVE, BALL, 3/8" BRASS        |
| 36          | 1    | 2519-P | HYD FIT, PUSH LOK 3/8 X 3/8    |



## Installation Instructions for Enclosure with Safety Interlock



Install end cap on top of each post.

